

Constant Force Roll Spring

EPPA 034

Solderless Earth Connections

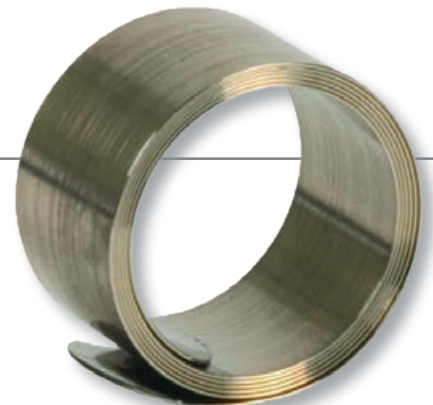
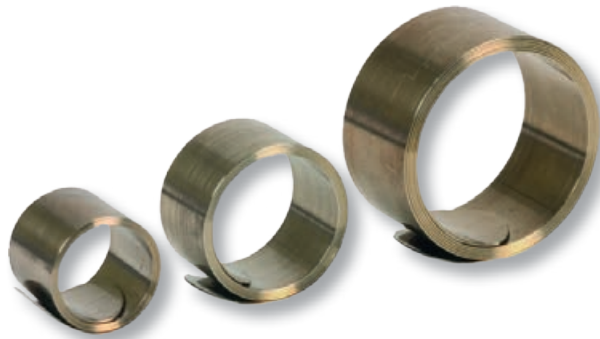
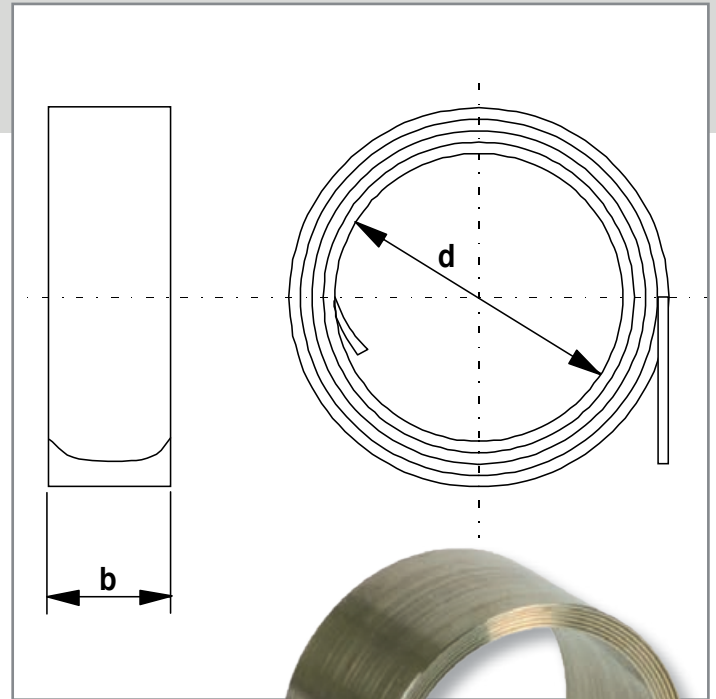
EPPA 034 is a constant force roll spring and often used to attach shielding braid to the tape shield of a plastic cable when terminating or jointing.

Material

Specification DIN 1.4310 fatigue resistant stainless spring steel.

Printing and Packaging

Roll springs are printed with month and year manufactured and a letter identifying type and size.



Part Number	Usage Range		Dimensions		Length (mm)
	Min (mm)	Max (mm)	b (mm)	d (mm)	
EPPA 034-A	12	20	13	10	280
EPPA 034-B	17	28	13	14	400
EPPA 034-C	25	40	13	20	570
EPPA 034-D	36	60	13	30	850
EPPA 034-E	17	29	25	14	570
EPPA 034-F	30	39	25	22	700
EPPA 034-G	40	60	25	30	950
EPPA 034-H	50	75	30	38	1100
EPPA 034-I	50	75	30	38	1350
EPPA 034-K	12	20	13	10	400
EPPA 034-L	57	85	30	45	1350
EPPA 034-M	33	45	25	25	850
EPPA 034-N	25	34	25	19	650
EPPA 034-O	85	110	30	70	1500

Tel: +44(0) 1793 616700 • Fax: +44(0) 1793 644304
 uksales@is-rayfast.com • export@is-rayfast.com

www.is-rayfast.com

2 Lydiard Fields, Swindon, Wiltshire, SN5 8UB, UK.

